

 महाराष्ट्र शासन शासकीय वैद्यकीय महाविद्यालय, अलिबाग, जि. रायगड. जिल्हा सामान्य रुग्णालय परिसर, बीच रोड, लिमये वाडी, अलिबाग, जि. रायगड - ४०२ २०१ GOVERNMENT MEDICAL COLLEGE, ALIBAG - RAIGAD DISTRICT CIVIL HOSPITAL AREA, ALIBAG BEACH ROAD, LIMYEWADI, ALIBAG DIST. RAIGAD - 402 201
Email- deangmcalibag@gmail.com Phone No. 02141-299214 www.gmchalibag.in/gmch
जा.क्र. शावैमअ / / / 360/२०२४ दिनांक १४/०२ /२०२४

दरपत्रक मागणी पत्र

प्रति,

विषय : महाविद्यालयाकरीता आवश्यक छोटी असणारी साधन
सामुग्री/यंत्रसामुग्रीकरीता दरपत्रके मागविणेबाबत.


उपरोक्त विषयानुसार शासकीय वैद्यकीय महाविद्यालयाकरीता खालील आवश्यक छोटी असणारी साधन सामुग्री/यंत्रसामुग्रीकरीता दरपत्रके मागविण्यात येत आहेत.

Sr. No.	Particulars	Unit	Price Per Unit including all Taxes
१.	व्हिडियो कॅमेरा	१	
२.	हॅन्डी कॅमेरा	१	
३.	डिएसएलआर कॅमेरा	१	

अ.नं.

१. दरपत्रक मोहोरबंद लिफाफा, दि. २० फेब्रुवारी २०२४ रोजी सांयकाळी ०५.०० वाजेपर्यंत कार्यालयास पोहचतील या बेताने पाठवावे. जाहीर केल्याला तारखेनंतर अथवा कार्यालयीन वेळेनंतर आलेले दरपत्रक विचारत घेतले जाणार नाही ग्राह्य धरले जाणार नाही.
२. दरपत्रक व सोबत जोडलेल्या विनिर्दिष्टाप्रमाणे मोहोरबंद लिफाफा अधिष्ठाता, शासकीय वैद्यकीय महाविद्यालय, अलिबाग, जि. रायगड यांचे नावे विहित मुदतीत कार्यालयास सादर करावा. त्याचप्रमाणे दरपत्रक मोहोरबंद लिफाफयावर मशीनरी पुरवठा करीता दरपत्रक लिहून सादर करावे.
३. लिफाफयावर डाव्या बाजूर दरपत्रक, लिफाफा जमा करण्याचा अंतिम दिनांक, दरपत्रक धारकाच्या नावाचा शिक्का इ. नमूद असणे आवश्यक आहे.

४. दरपत्रक ग्राह्य कालावधी हा पुरवठा आदेश नोंदविलेल्या दिनांकापासुन सहा (०६) महिन्यांचा राहिल.
५. प्रस्तावित वस्तुंकरीता दरपत्रक आकारण्यात आलेले दर हे बाजारभावापेक्षा अधिक नसावेत. सर्वात कमीतकमी दराचे दरपत्रकाचा विचार करण्यात येईल
६. सदर वस्तुंची किंमत, सर्व करांसहीत एकूण किंमत अशी दर्शविण्यात यावी. दरपत्रकात खाडाखोड करण्यात येवू नये.
७. दरपत्रक मोहोरबंद लिफाफ्यात सादर करावायाचे दस्ताऐवज (Documents)- अधिकृत लेटर हेडवर दरपत्रकसादर करावे. १) दुकानाचा परवाना, २) व्यवसाय नोंदणी प्रमाणपत्र, ३) जी.एस.टी. क्रमांक पत्र.
८. ज्या दरपत्रक धारकाचे दरहे न्यूनतम असतील अशा यशस्वी दरपत्रक धारकास आवश्यकते नुसार वस्तु खरेदी चा पुरवठा करण्याचे आदेश देण्यात येतील.
९. पुरवठा करण्यात आलेले किरकोळ वस्तु खरेदी हे संबंधित विभाग निश्चित केलेल्या ठिकाणी इंस्टॉल करुन देण्याची जबाबदारी दरपत्रक धारकाची राहिल.
१०. पुरवठा करण्यात आलेल्या वस्तु खरेदी चा दर्जा हा उत्तम / गुणवत्तापूर्ण असावा.
११. खरेदीचा पुरवठा आदेश दिल्यानंतर दरपत्रक तसेच पुरवठा आदेशातील अटी व शर्तीनुसार खरेदीच्या सामुग्रीचा पुरवठा ३० दिवसांच्या आत करणे बंधनकारक राहिल. विहित मुदतीत पुरवठा न केल्यास द्वितीय न्यूनतम दरपत्रधारकास (L२) पुरवठा आदेश देण्यात येतील.
१२. काम पूर्ण झाल्यानंतर तीन प्रतीत देयकेही अधिष्ठाता, शासकीय वैद्यकीय महाविद्यालय, अलिबाग, जि. रायगड यांचे नावाने देण्यात यावेत.
१३. देयकाची अदायगी ही शासनाकडून अनुदान प्राप्त होण्याच्या अधीन राहून करण्यात येईल. देयक अदाकरण्यास विलंब झाल्यास त्यावर कोणत्याही प्रकारचे विलंब शुक्ल अदा केले जाणार नाही.
१४. वरील नमुद वस्तुंची नग संख्या ही मा. अधिष्ठाता यांच्या आदेशानव्ये / प्रशासकीय उपलब्धतेनुसार कमी किंवा वाढवली जाऊ शकते.


अधिष्ठाता,


शासकीय वैद्यकीय महाविद्यालय,
अलिबाग-रायगड

प्रत- शासकीय वैद्यकीय महाविद्यालयाचे संकेत स्थळ , तसेच जिल्हा सामान्य रुग्णालय, अलिबाग-रायगड यांच्या सुचना फलकावर दरपत्रक मागविण्या संदर्भात दिनांक १४ फेब्रुवारी २०२४ रोजी सुचना देण्यात आल्या आहेत.

VIDEO CAMERA

SENSOR SECTION	SENSOR FOR MAIN CAMERA	Image Sensor	1/2.3-inch BSI MOS Sensor
		Total Pixels	12.76 megapixels
		Effective Pixels [Motion Image]	6.03 megapixels [16:9] (Level Shot Function OFF or Normal)
		Effective Pixels [Still Image]	5.21 megapixels [3:2]
		Effective Pixels [Still Image]	6.03 megapixels [16:9]
		Effective Pixels [Still Image]	4.72 megapixels [4:3]
	SENSOR FOR SUB CAMERA	Image Sensor	-
		Total Pixels	-
LENS SECTION	LENS FOR MAIN CAMERA	F Value	F1.8 (WIDE) / F3.6 (TELE)
		Optical Zoom	20x
		Focal Length	4.08 – 81.6 mm
		35 mm Film Camera Equivalent [Motion Image]	29.5 – 612 mm [16:9] (Level Shot Function OFF or Normal)
		35 mm Film Camera Equivalent [Still Image]	33.5 – 669.9 mm [3:2]
		35 mm Film Camera Equivalent [Still Image]	29.5 – 612 mm [16:9]
		35 mm Film Camera Equivalent [Still Image]	36.2 – 724.6 mm [4:3]
		Filter Diameter	49 mm
	Lens Brand	Panasonic Lens	
		LENS FOR SUB CAMERA	F Value
Focal Length			-
		35 mm Film Camera Equivalent [Motion Image]	-
CAMERA SECTION	Standard Illumination		1400 lx
	Minimum Illumination		2 lx (Scene Mode Low Light 1/25), 1 lx (Night Mode (Color))
	Focus		Auto / Manual
	Zoom	Intelligent Zoom OFF	20x
		Intelligent Zoom ON	50x
	Digital Zoom		60x / 1500x (The maximum value of zoom magnification can be set in two patterns)
	White Balance		Auto / White Set / Sunny / Cloudy / Indoor1 / Indoor2
	Shutter Speed	Motion Image	Auto Slow Shutter ON : 1/25 – 1/8000

		Motion Image	Auto Slow Shutter OFF : 1/50 – 1/8000
		Still Image	1/2 – 1/2000
	Iris		Auto / Manual
	Image Stabilizer		HYBRID O.I.S.+ with Active Mode, Auto O.I.S. Lock, Level Shot Function
	HDR Movie (Except 4K Mode)		Yes
	Creative Control (Except 4K Mode)		Miniature Effect, Silent Movie, 8mm Movie, Time Lapse Rec
RECORDING SECTION	Recording Media		SD/SDHC/SDXC Memory Card
	Recording Format		[AVCHD] AVCHD Progressive
	Recording Format		[iFrame / MP4] MP4
	Compression Method		MPEG-4 AVC/H.264
	Recording/ Playback Mode	AVCHD	1080/50p (28Mbps / VBR), (1920 x 1080/50p)
		AVCHD	PH (24Mbps / VBR), (1920 x 1080/50i)
		AVCHD	HA (17Mbps / VBR), (1920 x 1080/50i)
		AVCHD	HG (13Mbps / VBR), (1920 x 1080/50i)
		AVCHD	HE (5Mbps / VBR), (1920 x 1080/50i)
		MP4	1080p/50p(50M) (50Mbps / VBR), (1920 x 1080)
		MP4	1080p/50p(28M) (28Mbps / VBR), (1920 x 1080)
		MP4	720p/25p(9M) (9Mbps / VBR), (1280 x 720)
		iFrame	960 x 540/25p (28Mbps / VBR)
	Actual Recordable Time with Supplied Battery		Approx. 55 min (50p mode)
	Actual Recordable Time with Supplied Battery		Approx. 55 min (PH mode)
	Actual Recordable Time with Supplied Battery		Approx. 55 min (HA mode)



	Actual Recordable Time with Supplied Battery		Approx. 55 min (HG mode)
	Actual Recordable Time with Supplied Battery		Approx. 55 min (HE mode)
	Actual Recordable Time with Supplied Battery		Approx. 50 min (MP4 50M)
	Actual Recordable Time with Supplied Battery		Approx. 55 min (MP4 28M)
	Actual Recordable Time with Supplied Battery		Approx. 1 h 00 min (MP4 720p)
	Actual Recordable Time with Supplied Battery		Approx. 1 h 00 min (iFrame)
	Thumbnail Display		20 thumbnails/page, 9 thumbnails/page, 1 thumbnail/page
	Audio Recording System		AVCHD: Dolby Audio (5.1ch / 2ch)
	Audio Recording System		iFrame, MP4: AAC (2ch)
	Microphone		5.1ch Surround, Zoom, Focus and Stereo Microphone
	Speaker		Dynamic type
STILL IMAGE SECTION	Recording Format		JPEG (DCF/Exif2.2)
	Recording Image Size	Still Image	[16:9] 24megapixels (6528 x 3672), 12.6 megapixels (4736 x 2664), 2.1 megapixels (1920 x 1080)
		Still Image	[3:2] 20 megapixels (5472 x 3648), 10.6 megapixels (3984 x 2656) , 2.0 megapixels (1728 x 1152)
		Still Image	[4:3] 18 megapixels (4896 x 3672), 8 megapixels (3264 x 2448), 0.3 megapixels (640 x 480)
		Simultaneous Recording	[16:9] 12.6 megapixels (4736 x 2664), 2.1 megapixels (1920 x 1080)
	Flash		-
GENERAL SECTION	Power Supply		3.6V (Battery) / 5.0V (AC Adaptor)
	Power Consumption		Max. 6.7W (Recording) / Max. 7.7W (Charging)

	Dimensions (W x H x D)	Approx. 65 x 73 x 139 mm (2.559 x 2.874 x 5.472 inch)
	Weight (w/o battery and SD card)	Approx. 351g (0.774 lb)
	LCD Monitor	3.0-inch Wide LCD monitor (460,800 dots)
	Touch Panel	Yes
	View Finder	-
	Manual Ring / Dial	Yes (Dial)
	Interface	AV
		Yes
		HDMI
		Yes (micro)
		Microphones (stereo mini)
		Yes
		Headphone (stereo mini)
		Yes
		USB
		2.0 Hi-Speed
		USB Charge
		Yes
	LED Video Light	Yes
	Accessory Shoe	Yes (cold)
	Lens Cover	Yes (Auto)
	On-Screen Display Language	English, Chinese Traditional, Thai, Arabian, Persian, Hindi
	Wi-Fi	Standard
		IEEE 802.11b/g/n
		Frequency
		2.4GHz band
		NFC
		-
	STANDARD ACCESSORY	AC Adaptor
		Yes
	AC Cable	-
	DC Cable	Yes (USB Type)
	Rechargeable Battery Pack	Yes (1,940mAh)

	Actual Recordable Time with Supplied Battery		Approx. 55 min (HG mode)
	Actual Recordable Time with Supplied Battery		Approx. 55 min (HE mode)
	Actual Recordable Time with Supplied Battery		Approx. 50 min (MP4 50M)
	Actual Recordable Time with Supplied Battery		Approx. 55 min (MP4 28M)
	Actual Recordable Time with Supplied Battery		Approx. 1 h 00 min (MP4 720p)
	Actual Recordable Time with Supplied Battery		Approx. 1 h 00 min (iFrame)
	Thumbnail Display		20 thumbnails/page, 9 thumbnails/page, 1 thumbnail/page
	Audio Recording System		AVCHD: Dolby Audio (5.1ch / 2ch)
	Audio Recording System		iFrame, MP4: AAC (2ch)
	Microphone		5.1ch Surround, Zoom, Focus and Stereo Microphone
	Speaker		Dynamic type
STILL IMAGE SECTION	Recording Format		JPEG (DCF/Exif2.2)
	Recording Image Size	Still Image	[16:9] 24megapixels (6528 x 3672), 12.6 megapixels (4736 x 2664), 2.1 megapixels (1920 x 1080)
		Still Image	[3:2] 20 megapixels (5472 x3648), 10.6 megapixels (3984 x 2656) , 2.0 megapixels (1728 x 1152)
		Still Image	[4:3] 18 megapixels (4896 x 3672), 8 megapixels (3264 x 2448), 0.3 megapixels (640 x 480)
		Simultaneous Recording	[16:9] 12.6 megapixels (4736 x 2664), 2.1 megapixels (1920 x 1080)
	Flash		-
GENERAL SECTION	Power Supply		3.6V (Battery) / 5.0V (AC Adaptor)
	Power Consumption		Max. 6.7W (Recording) / Max. 7.7W (Charging)

HANDY CAMERA

Battery Charger	-	
IR Remote	-	
HDMI Cable	Yes (micro)	
AV Multi Cable	-	
AV Cable	-	
Shoe adaptor	Yes	
Lens Hood	-	
USB Cable	Yes	
Editing Software	HD Writer AE 5.2 (Download)	

HANDY CAMERA

Specifications

System

Signal format:

NTSC color, EIA standards (1080 60i compatible models)
PAL color, CCIR standards (1080 50i compatible models)
HD TV

Movie recording format:

XAVC S (XAVC S format)
Video: MPEG-4 AVC/H.264
Audio: MPEG-4 Linear PCM 2ch (48 kHz/16 bit)
AVCHD (AVCHD format Ver.2.0 compatible):
Video: MPEG-4 AVC/H.264
Audio: Dolby Digital 2ch
Dolby Digital Stereo Creator^{*1}
MP4:

Video: MPEG-4 AVC/H.264
Audio: MPEG-4 AAC-LC 2ch
^{*1} Manufactured under license from Dolby Laboratories.

Photo file format:

DCF Ver.2.0 Compatible
Exif Ver.2.3 Compatible
MPF Baseline Compatible

Recording media (Movie/Photo):

Internal memory
HDR-CX440/PJ440: 8 GB^{*2}
AVCHD, Photo
Memory Stick Micro (Mark2) media
microSD card (Class 4 or faster)
XAVC S
microSDXC card (Class 10 or faster)

^{*2} The capacity that a user can use (Approx.) 7.76 GB
1 GB equals 1 billion bytes, a portion of which is used for system management and/or application files. Only preinstalled demonstration movie may be deleted.

Image device:

3.1 mm (1/5.8 type) CMOS Sensor
Recording pixels (photo, 16:9):
Max. 9.2 mega pixels (4 032 × 2 272)^{*3}
Gross: Approx. 2 510 000 pixels
Effective (movie, 16:9)^{*4}:
Approx. 2 290 000 pixels
Effective (photo, 16:9):
Approx. 2 290 000 pixels
Effective (photo, 4:3):
Approx. 1 710 000 pixels

Lens:

ZEISS Vario-Tessar Lens
30× (Optical)^{*4}, 60× (Clear Image Zoom, while recording movies)^{*5},
350× (Digital)
F1.8 - F4.0

Focal length:

f=1.9 mm - 57.0 mm (3/32 in. - 2 1/4 in.)

When converted to a 35 mm still camera

For movies^{*4}: 26.8 mm - 804.0 mm

(11/16 in. - 31 3/4 in.) (16:9)

For photos: 26.8 mm - 804.0 mm
(11/16 in. - 31 3/4 in.) (16:9)

Color temperature: [Auto], [One Push], [Indoor], [Outdoor]

Minimum illumination:

6 lx (lux) (in default setting, shutter speed 1/30 second (1080 60i compatible models) or 1/25 second (1080 50i compatible models))

3 lx (lux) ([Low Lux] is set to [On], shutter speed 1/30 second (1080 60i compatible models) or 1/25 second (1080 50i compatible models))

^{*3} The unique image processing system of Sony's BIONZ-X allows still image resolution equivalent to the sizes described.

^{*4} [SteadyShot] is set to [Standard] or [Off].

^{*5} [SteadyShot] is set to [Active].

Others

Input/Output connectors

HDMI OUT jack: HDMI micro connector
PROJECTOR IN jack (HDR-PJ410/PJ440): HDMI micro connector
USB jack: Type A (Built-in USB)
USB connector is only for output (For customers in Europe).
Multi Terminal

LCD monitor

Picture: 6.7 cm (2.7 type, aspect ratio 16:9)
Total number of pixels:
230 400 (960 × 240)

Projector (HDR-PJ410/PJ440)

Projection type: DLP
Light source: LED (R/G/B)
Focus: Manual
Throw Distance: 0.5 m (1.6 feet) or over
Contrast ratio: 1 500:1
Resolution (output): 640 × 360
Continuous projection time (when using the supplied battery pack):
Approx. 1 h. 10 min.

Wireless LAN (HDR-CX440/PJ410/PJ440)

Supported standard:
IEEE 802.11 b/g/n
Frequency: 2.4 GHz
Supported security protocols: WEP/
WPA-PSK/WPA2-PSK
Configuration method: WPS (Wi-Fi Protected Setup)/manual
Access method: Infrastructure Mode
NFC: NFC Forum Type 3 Tag compliant

General

Power requirements: DC 3.6 V (battery pack), DC 5 V 1500 mA (AC Adaptor)
USB Charging: DC 5 V 800 mA
Average power consumption:

During camera recording using LCD monitor at normal brightness:
HDR-CX405/CX440: 2.1 W
HDR-PJ410/PJ440: 2.2 W

Operating temperature: 0 °C to 40 °C (32 °F to 104 °F)

Storage temperature: -20 °C to +60 °C (-4 °F to +140 °F)

Dimensions (approx.):

HDR-CX405/CX440:

54.0 mm × 59.5 mm × 128.0 mm (2 1/4 in. × 2 3/8 in. × 5 1/8 in.) (w/h/d) including the projecting parts

54.0 mm × 59.5 mm × 128.0 mm (2 1/4 in. × 2 3/8 in. × 5 1/8 in.) (w/h/d) including the projecting parts, and the supplied rechargeable battery pack inserted

HDR-PJ410/PJ440:

59.0 mm × 59.5 mm × 128.0 mm (2 3/8 in. × 2 3/8 in. × 5 1/8 in.) (w/h/d) including the projecting parts

59.0 mm × 59.5 mm × 128.0 mm (2 3/8 in. × 2 3/8 in. × 5 1/8 in.) (w/h/d) including the projecting parts, and the supplied rechargeable battery pack inserted

Mass (approx.)

HDR-CX405/CX440:

190 g (6.7 oz) main unit only
215 g (7.6 oz) including the supplied rechargeable battery pack

HDR-PJ410/PJ440:

210 g (7.4 oz) main unit only
235 g (8.3 oz) including the supplied rechargeable battery pack

AC Adaptor AC-UUD11

Power requirements: AC 100 V - 240 V, 50 Hz/60 Hz

Power consumption: 11 W

Output voltage: DC 5.0 V, 1 500 mA

Rechargeable battery pack NP-BX1

Used battery: Lithium-ion battery
 Maximum voltage: DC 4.2 V
 Nominal voltage: DC 3.6 V
 Maximum charge voltage: DC 4.2 V
 Maximum charge current: 1.89 A
 Capacity: 4.5 Wh (1 240 mAh)

Design and specifications of your camcorder and accessories are subject to change without notice.


Estimated time of charging, recording, and playback using the supplied battery pack

HDR-CX405/CX440


Charging time (minutes)	
AC Adaptor (supplied)	155
Computer	275
Recording time (minutes)	
Continuous	115
Typical	55
Playback time (minutes)	210

HDR-PJ410/PJ440

Charging time (minutes)	
AC Adaptor (supplied)	155
Computer	275
Recording time (minutes)	
Continuous	110
Typical	55
Playback time (minutes)	210

- The charging times are measured when charging the camcorder at a room temperature of 25 °C (77 °F) without using the USB Connection support cable.
- The recording and playback times are measured when using the camcorder at 25 °C (77 °F).
- The recording times are measured when recording movies with the default settings ([ REC Mode]: [High Quality **FH**], [Dual Video REC]: [On]).
- Typical recording time shows the time when you repeat recording start/stop, switching the [Shooting Mode], and zooming.

Trademarks

- AVCHD, AVCHD Progressive, AVCHD logotype and AVCHD Progressive logotype are trademarks of Panasonic Corporation and Sony Corporation.
- XAVC S and **XAVC S** are registered trademarks of Sony Corporation.
- Memory Stick and  are trademarks or registered trademarks of Sony Corporation.
- Blu-ray Disc™ and Blu-ray™ are trademarks of the Blu-ray Disc Association.
- Dolby and the double-D symbol are trademarks of Dolby Laboratories.

Others

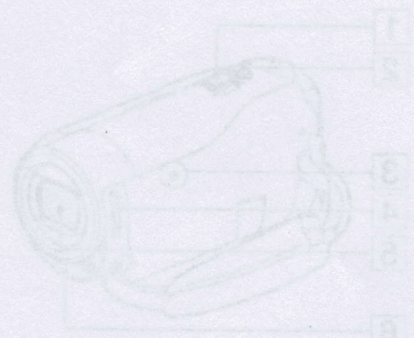
GB
31



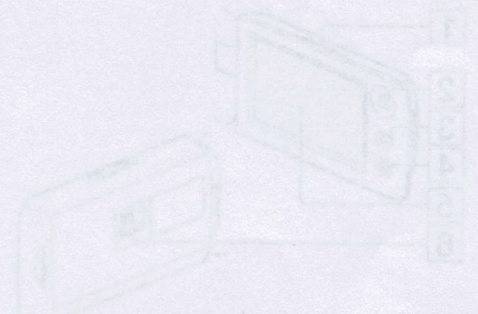
- The terms HDMI and HDMI High-Definition Multimedia Interface, and the HDMI Logo are trademarks or registered trademarks of HDMI Licensing LLC in the United States and other countries.
- Microsoft, Windows, and Windows Vista are either registered trademarks or trademarks of Microsoft Corporation in the United States and/or other countries.
- Mac and Mac OS are registered trademarks of Apple Inc. in the United States and other countries.
- Intel, Intel Core, and Pentium are trademarks of Intel Corporation in the U.S. and/or other countries.
- microSDXC logo is a trademark of SD-3C, LLC.
- Android, Google Play are trademarks of Google Inc.
- iOS is a registered trademark or trademark of Cisco Systems, Inc.
- Wi-Fi, the Wi-Fi logo, Wi-Fi PROTECTED SET-UP are registered trademarks of the Wi-Fi Alliance.
- The N Mark is a trademark or registered trademark of NFC Forum, Inc. in the United States and in other countries.
- Facebook and the "f" logo are trademarks or registered trademarks of Facebook, Inc.
- YouTube and the YouTube logo are trademarks or registered trademarks of Google Inc.
- iPhone and iPad are trademarks of Apple Inc., registered in the U.S. and other countries.

All other product names mentioned herein may be the trademarks or registered trademarks of their respective companies. Furthermore, ™ and ® are not mentioned in each case in this manual.

Parts and controls



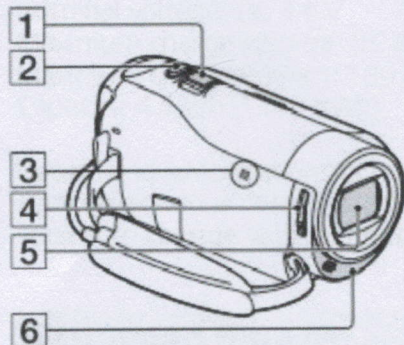
- 1 Power zoom lever (12)
- 2 PHOTO button (12)
- 3 N Mark (NFC Forum, Inc.)
- 4 PHOTO button
- 5 NFC Near Field Communication
- 6 LENS COVER switch (14)
- 7 Multi-selector (11)
- 8 Built-in coprocessor



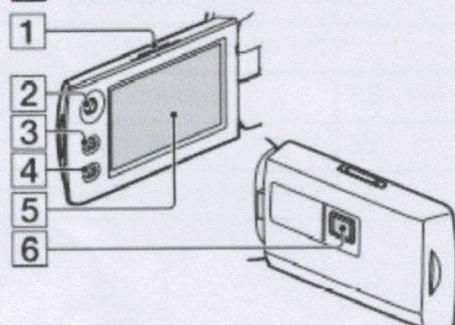
- 1 PROJECTOR FOCUS lever (13)
- 2 Multi-selector (11)
- 3 (Viewfinder) button (10)
- 4 PROJECTOR button (13)
- 5 LCD monitor
- 6 PROJECTOR lens (HDMI PORT)
- 7 PROJECTOR lens (HDMI PORT)
- 8 (HDMI PORT)

Parts and controls

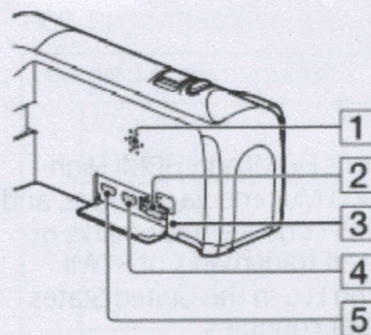
Figures in () are reference pages.



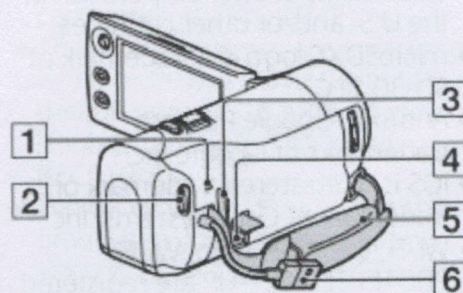
- 1** Power zoom lever (14, 15)
- 2** PHOTO button (15)
- 3** N mark (22) (HDR-CX440/PJ410/PJ440)
NFC: Near Field Communication
- 4** LENS COVER switch (14, 15)
- 5** Lens (ZEISS lens)
- 6** Built-in microphone



- 1** PROJECTOR FOCUS lever (18) (HDR-PJ410/PJ440)
- 2** Multi-selector (11)
- 3** (View Images) button (16)
- 4** PROJECTOR button (18) (HDR-PJ410/PJ440)
- 5** LCD monitor
- 6** Projector lens (HDR-PJ410/PJ440)

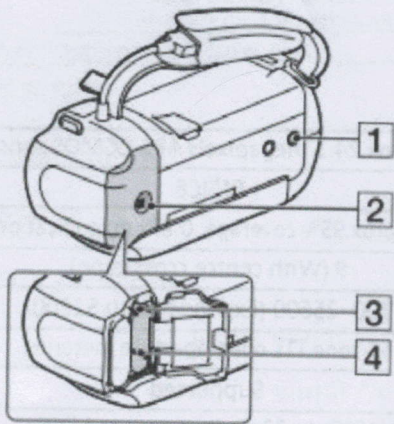


- 1** Speaker
- 2** Memory card slot (12)
- 3** Memory card access lamp (12)
- 4** HDMI OUT jack (18)
- 5** PROJECTOR IN jack (HDR-PJ410/PJ440)



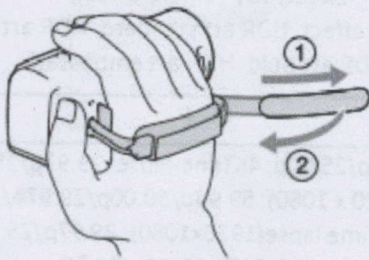
- 1** POWER/CHG (charge) lamp (10)
- 2** START/STOP button (14)
- 3** Loop for a shoulder belt
- 4** Multi Terminal
This terminal does not support VMC-AVM1 Adaptor Cable (sold separately). You cannot use accessories via an A/V remote connector.
- 5** Grip belt
- 6** Built-in USB Cable (9)

Others



- 1 Tripod receptacle
- 2 Battery cover (9)
- 3 Battery release lever
- 4 Battery pack (9)

| To fasten the grip belt



[Handwritten signature]

[Handwritten signature]

[Handwritten signature]

DSLR Camera

Image Sensor	Approx.24.1 megapixels APS-CCMOS sensor
Image Processor	DIGIC8
Viewfinder	Approx.95% coverage, 0.87x magnification
AF Points	9 (With centre cross-type)
ISO Range	100–25600 (Expandable to 51200)
Metering	63-zone TTL open-aperture metering
Time-lapse Movie	Supported
Shutter Speed	1/4000s to 30s Bulb, X-sync at 1/200s* *Supported only with EX and EL series Speedlites
Continuous Shooting Speed	Viewfinder shooting: Max. approx. 5.0 shots/s Live View shooting: Max. approx.5.0 shots/s (One-Shot) or 3.5 shots/s (Servo AF)
Af in Live View	Dual Pixel CMOS AF system, AF at up to EV-4
Creative Filter (forstills)	Grainy B/W, Soft focus, Fish-eye effect, Water painting effect, Toy camera effect, Miniature effect, HDR art standard, HDR art vivid, HDR art bold, HDR art embossed
Movie Recording Format	MP4
Movie Recording Size & Frame Rate	4K: 23.98p/25.00p, 4KTime-lapse: 29.97p/25.00p Full HD (1920 x 1080): 59.94p/50.00p/29.97p/25.00p, Full HD Time lapse(1920x1080): 29.97p/25.00p, HD(1280x720): 59.94p/50.00p, HDR movie (1920x1080): 29.97p/25.00p
Built-in Microphones	Stereo
LCD Monitor	Vari-angle 7.6 cm (3.0inch), approx. 10,40,000 dots TFT, Touch Panel
Built-in Flash	Retractable, manual pop-up flash
Wi-Fi & Bluetooth	Available
Storage	SD / SDHC* / SDXC* Card *UHS-1 cards supported
Dimensions & Weight (W x H x D) CIPA Compliant Including Battery and Card	122.4 x 92.6 x 69.8mm Approx.449g